

Tenda

Advanced Data Sheet

What It Does

W330A is 2.4GHz 300m fit AP. It works with Access Controller AC500 to provide the wireless solution for hotels, resorts, office buildings, campus or other environment. Adopt of ceiling design, W330A can be mounted on the ceiling and wall inconspicuous. Compliant with PoE 802.3af, It can be deployed in areas where power outlets are scarce or not available through PoE switch.

Hardware Design

- Ceiling Design
- 300MHz Broadcom CPU
- 8MB series flash
- 32MB RAM
- 1 FE LAN port
- 1*Reset Button
- Compliant PoE 802.3af

Main Features

- Fit AP
- Compliant IEEE 802.3u/3
- Compliant IEEE 802.11n/g/b
- 4 SSID
- Channel 1-13
- Maximum output power 20dbm
- QVLAN
- WEP/WPA-PSK/WPA2-PSK
- Maximum concurrent wireless clients up to 15
- Support reboot at regular time from AC500
- Support modify description from AC500 to identify location
- Support Reset from AC500
- Support upgrade firmware from AC500
- Centralized management by AC500



Photo 1



Photo 2



Photo 3

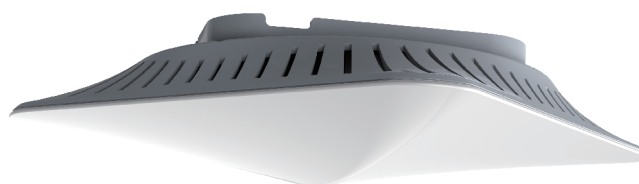
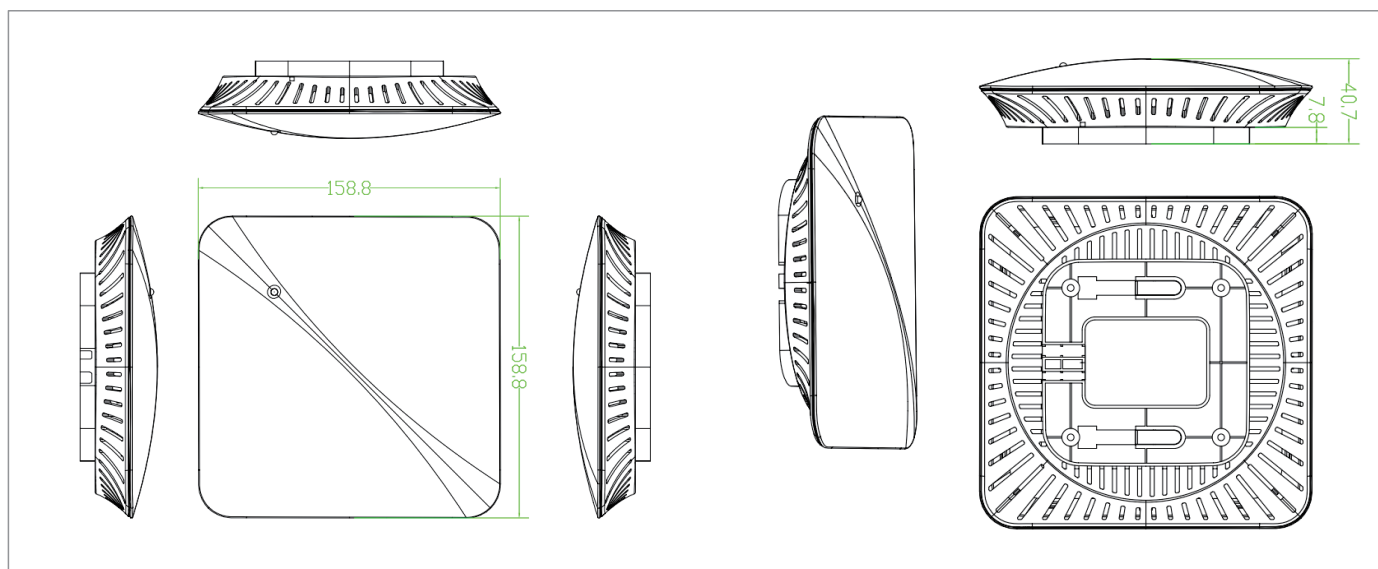


Photo 4



W330A Wireframe

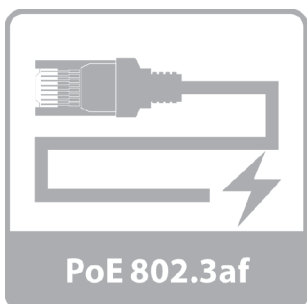
Highlights



W330A transfer rates of up to 300 Mbps on the 2.4 radio for faster file transfers and smoother video streaming.



Adopt of aesthetic ceiling design, W330A can be mount on ceiling or wall inconspicuous.



Compliant with PoE 802.3af, the port on the back panel allows both power and data to be carried over a single ethernet cable, so the W330A can be deployed in areas where power outlets are scarce or not available.



W330A can be configured to broadcast up to 4 SSID, each SSID can be tagged to a specified network VLAN for different user access based on established access rights.



W330A can be managed by the Access Controller AC500, the network administrator can modify the description and manage SSID, Channel, Security, Output power more easily.

Hardware Specification

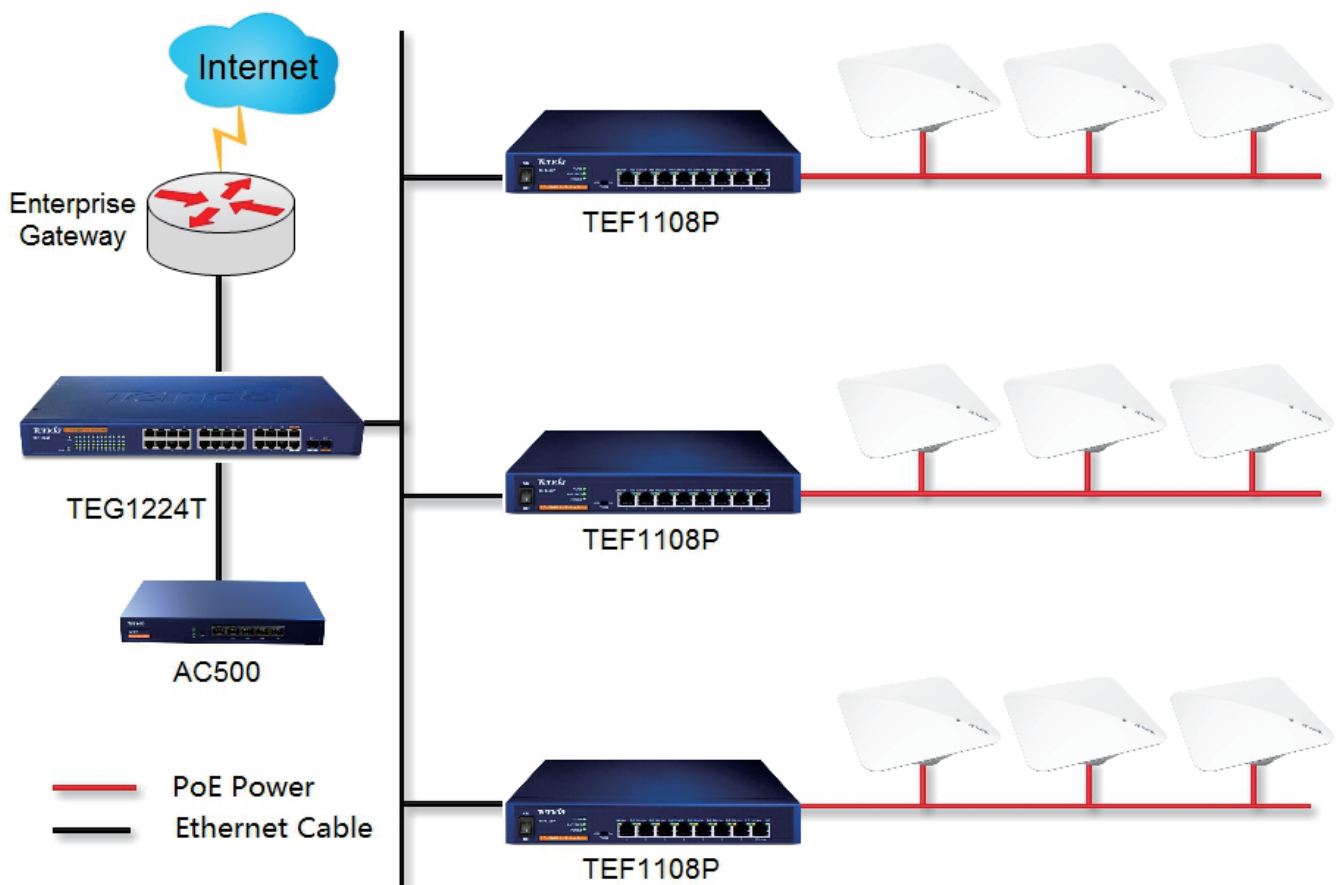
AP Type	Fit AP
Dimension	159X159X40mm
CPU	300MHz BCM5357C0
Interfaces	1*FE LAN Port
Antennas	2*3dbi printed antennas
LED indicator	SYS
Button	1*Reset
Maximum Consumption	6.5w
Power	PoE 802.3af
Operating Temperature	-10°C~45°C
Storage Temperature	-30°C~70°C
Operating Humidity	10%~90% non-condensing
Storage Humidity	10%~90% non-condensing
Certifications	FCC/CE/RohS

Software Specification	
Compliant Standards	IEEE 802.11n/g/b
Maximum Concurrent Clients	15
Maximum output power	20dbm
LAN Setting	Dynamic IP
Wireless Basic Settings	4 SSID
	Channel 1-13
	Output power adjustable
	QLAN
Wireless Security Settings	64/128 WEP
	WPA-PSK
	WPA2-PSK
AP Management function	Centralized managed by AC500
	Support Reset from AC500
	Support upgrade firmware from AC500
	Support reboot at regular time

Application Introduction

W330A is a 2.4G 300M fit AP. It works with AC500 to provide low cost wireless solution for retail & chain, economy hotel, Café etc. Adopt of Aesthetic ceiling design, the network administrator can mount the ceiling on wall. After, you power on the AP, you can scan the APs from the AC500 and modify the description for the AP to identify the location(eg.W330A_R410) one by one. And then you can modify SSID, channel, security, output power for AP on the AC500 according your requirement. After you finished setting, you can monitor AP and wireless clients online status.

Network Topology



AC500 Access Controller

W330A 300M Ceiling Fit AP

TEF1108P 8 ports FE 802.3af PoE Switch

TEG1224T 24 ports GE Smart Switch

Tenda

Shenzhen Tenda Technology Co., Ltd.
Add.:Tenda Technology Bldg. Int'l E-City, # 1001 Zhong Shan Yuan Rd. ,Nanshan
District, Shenzhen 518055
For Distribution Business:
Tel: (86)755 2765 7180
Email:sales@tenda.com.cn