

## Column Speaker

Please read the instructions in details before you use, and follow the contents to do the most proper installation. After you have made the proper installation, please keep this instruction well for your references at any time.

If you would like to do any changes for the installation regarding this product, please must make sure if the specifications are correct or not. Otherwise, the incorrect installation will probably result in the permanent damage to this product, therefore, please use it with caution.

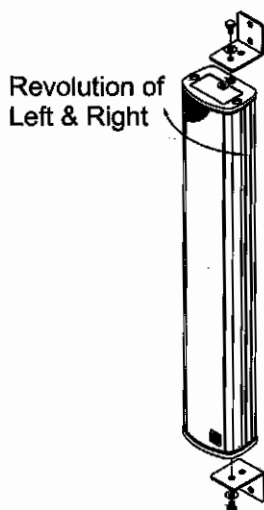
### Cautions:

1. Absolutely not to do the installation that exceeds the specifications of this products because it will result in affecting the life and the capacity with regard to this product.
2. Keep away from the place that wets in rain directly if installing at outside.
3. Do not clean the appearance of the column speaker with an organic solvent or alcoholic detergent.
4. Do not repair or disassemble the product yourself if there is any damage or unusual situation, please should contact the person in charge of service immediately.

### Installation Methods:

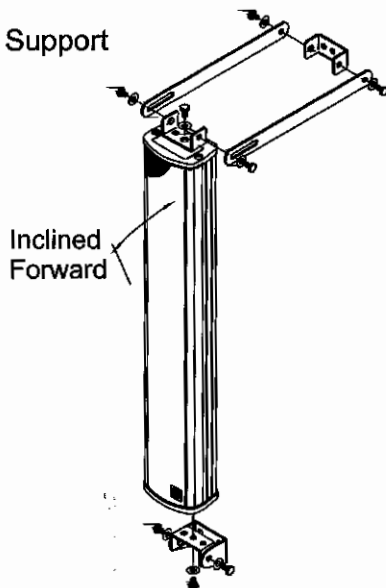
1. Please make sure that if the fixed methods for the fixed support firmly undertake the weight of this product when you install, so as to avoid causing the injury to the facilities and a worker if there is a falling.
2. Please definitely use the exclusive design of the speaker frame to do the fixation.
3. Recommend you to install the bottom of the speaker whose distance shall be 1.5m from the ground when you sit to listen to the conditions. If you stand up, the bottom of the speaker whose distance shall be 1.7m from the ground, which will get a better effect.
4. In case of needing to hang the speaking at a higher position, please install it in an inclined direction to get a good effect. ( Recommend you to choose a big angle of fixed support that exclusively designed for this product, CS-201/202/203, such as the attached chart.)
5. The fixed support that hangs on the wall. The methods of operating are as the following chart. (In addition to the standard accessories, there are a wide variety of accessories for you to choose.)

### Installation Methods of CS-200 Series Fixed Support



Revolution of  
Left & Right

(General accessory)



Inclined  
Forward

(Purchased accessory)

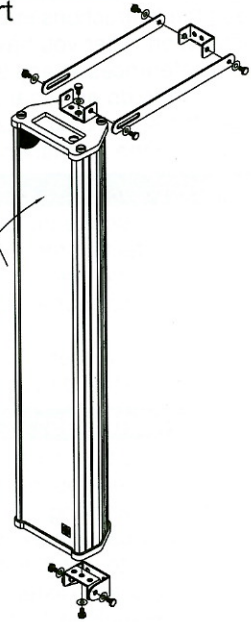
# Installation Methods of CS-300 Series Fixed Support

Revolution of  
Left & Right



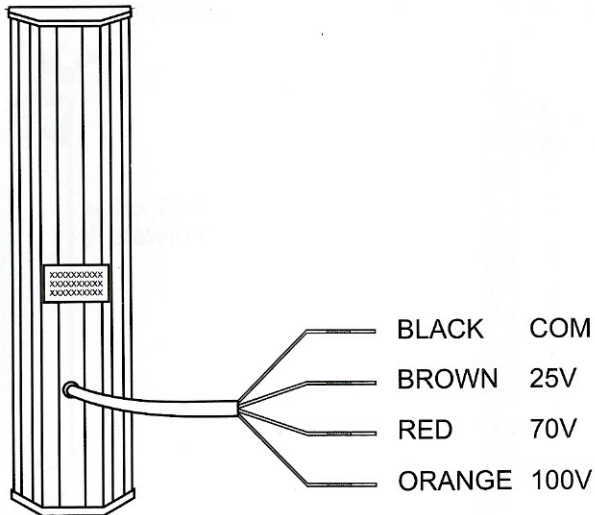
(General accessory)

Inclined  
Forward

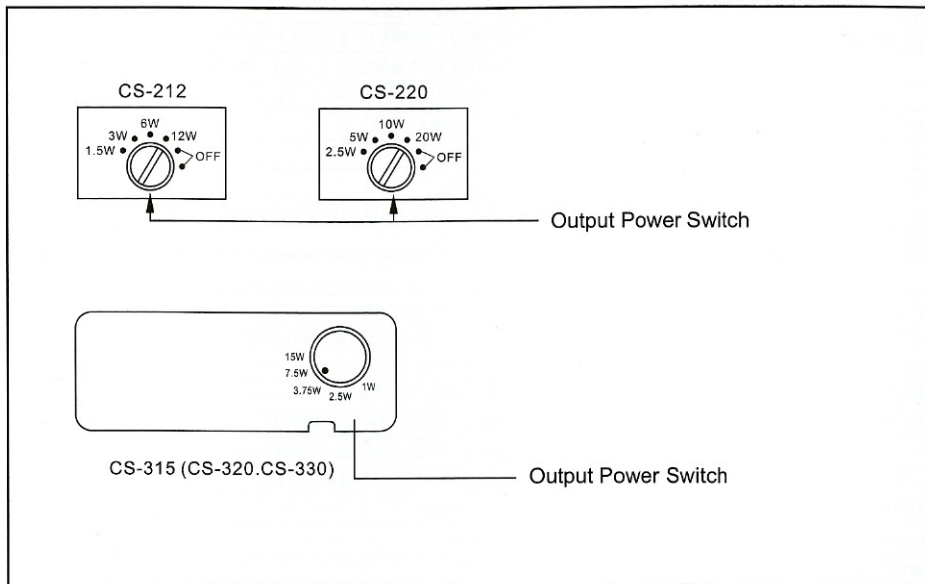


(Selected accessory)

6. Please firstly confirm the system you connect is the output connection of 100V, 70V or 25V before you connect the voltage for this product. You should choose as the cables color on the speaker to the proper position. (as the following pictures)



7. If requiring to adjust the output power (low or loud of volume),you can switch the volume on the speaker to choose what you want. The switch position is as follows:



### Warning

" This product shall be installed by an expert. Before you install it, please turn off the power that connects to the amplifier to avoid getting an electric shock! "

1. Before you send the signal to the speaker, please confirm if the installation of the input voltage or the circuits is short or not because these will cause the damage of the speaker.
2. The end of input voltage on the speaker whose voltage shall be the same as the input voltage on your instrument.

## Instructions of Appliance Specification

Types of Models	CS-212 Column Speaker
Interior Speaker	4 unites of 2.5" Wide Band Speaker
Input Power	Rated 12W / the biggest 24W
Output Power	1.5W / 3W / 6W / 12W
Input Impedance	(100V):6.6K $\Omega$ / 3.3K $\Omega$ / 1.66K $\Omega$ / 833 $\Omega$ ( 70V ):3.26K $\Omega$ / 1.63K $\Omega$ / 816 $\Omega$ / 408 $\Omega$ ( 25V ):416 $\Omega$ / 208 $\Omega$ / 104 $\Omega$ / 52 $\Omega$
Input Voltage	25V / 70V / 100V
Frequency of Reaction	250~16000Hz
Sound Pressure Level	94dB(1W / M)
Model Size	(width)106x(length)405x(height)75mm
Weight	2.2Kg / 4.85 lbs

Types of Models	CS-220 Column Speaker
Interior Speaker	7 unites of 2.5" Wide Band Speaker
Input Power	Rated 20W / Max. 40W
Output Power	2.5W / 5W / 10W / 20W
Input Impedance	(100V):4K $\Omega$ / 2K $\Omega$ / 1K $\Omega$ / 500 $\Omega$ ( 70V ):2K $\Omega$ / 1K $\Omega$ / 500 $\Omega$ / 250 $\Omega$ ( 25V ):250 $\Omega$ / 125 $\Omega$ / 62 $\Omega$ / 31 $\Omega$
Input Voltage	25V / 70V / 100V
Frequency of Reaction	250~16000Hz
Sound Pressure Level	94dB(1W / M)
Model Size	(width)106x(length)619x(height)75mm
Weight	3.6Kg/7.94 lbs

Types of Models	CS-315 Column Speaker
Interior Speaker	3 unites of 5"x7" Wide Band Speakers 1 unite of 2.5" Tweeter
Input Power	Rated 15W / Max. 30W
Output Power	1W / 2W / 3.75W / 7.5W / 15W
Input Impedance	(100V):10K $\Omega$ / 5K $\Omega$ / 2.67K $\Omega$ / 1.33K $\Omega$ / 670 $\Omega$ ( 70V ):4.9K $\Omega$ / 2.5K $\Omega$ / 1.3K $\Omega$ / 650 $\Omega$ / 320 $\Omega$ ( 25V ):625 $\Omega$ / 312 $\Omega$ / 166 $\Omega$ / 83.5 $\Omega$ / 41.5 $\Omega$
Input Voltage	25V / 70V / 100V
Frequency of Reaction	100~16000Hz
Sound Pressure Level	97dB(1W/M)
Model Size	(width)169x(length)667x(height)113mm
Weight	5Kg/11.02 lbs

## Instructions of Appliance Specification

Types of Models	CS-320 Column Speaker
Interior Speaker	4 unites of 5"x7" Wide Band Speakers 2 unites of 2.5" Tweeter
Input Power	Rated 20W / Max. 40W
Output Power	1.25W / 2.5W / 5W / 10W / 20W
Input Impedance	(100V):8K $\Omega$ / 4K $\Omega$ / 2K $\Omega$ / 1K $\Omega$ / 500 $\Omega$ ( 70V ):3.9K $\Omega$ / 2K $\Omega$ / 1K $\Omega$ / 490 $\Omega$ / 245 $\Omega$ ( 25V ):500 $\Omega$ / 250 $\Omega$ / 125 $\Omega$ / 62 $\Omega$ / 31.3 $\Omega$
Input Voltage	25V / 70V / 100V
Frequency of Reaction	100~16000Hz
Sound Pressure Level	98dB(1W / M)
Model Size	(Width)169x(length)868x(height)113mm
Weight	6.6Kg/14.6 lbs

Types of Models	CS-330 Column Speaker
Interior Speaker	6 unites of 5"x7" Wide Band Speaker 2 unites of 2.5" Tweeter
Input Power	Rated 30W / Max 60w
Output Power	2W / 3.75W / 7.5W / 15W / 30W
Input Impedance	(100V):5K $\Omega$ / 2.67K $\Omega$ / 1.33K $\Omega$ / 670 $\Omega$ / 330 $\Omega$ ( 70V ):2.5K $\Omega$ / 1.3K $\Omega$ / 650 $\Omega$ / 320 $\Omega$ / 163 $\Omega$ ( 25V ):312 $\Omega$ / 166 $\Omega$ / 83.5 $\Omega$ / 41.5 $\Omega$ / 20.8 $\Omega$
Input Voltage	25V / 70V / 100V
Frequency of Reaction	100~16000Hz
Sound Pressure Level	99dB(1W / M)
Model Size	(width)169x(length)1271x(height)113mm
Weight	9Kg/19.84 lbs

## Attachment of component parts for Column Speaker

Model	CS-201	CS-202	CS-203
Connecting Plate	Specification: 196x25x2t Quantity: 2	Specification: 296x25x2t Quantity:2	Specification: 396x25x2t Quantity:2
┐-Shaped Fixed Support	Specification: 60x35x30 Quantity:3	Specification: 60x35x30 Quantity:3	Specification: 60x35x30 Quantity:3
┐-Shaped Fixed Support	Specification: 77x64x50 Quantity:1	Specification: 77x64x50 Quantity:1	Specification: 77x64x50 Quantity:1
Hexagon Zinc Screw	Specification: M8x12 Quantity:8	Specification: M8x12 Quantity:	Specification: M8x12 Quantity:8
Zinc Washer	Specification: M8x18x1.5 Quantity:8	8Specification: M8x18x1.5 Quantity:8	Specification: M8x18x1.5 Quantity:8